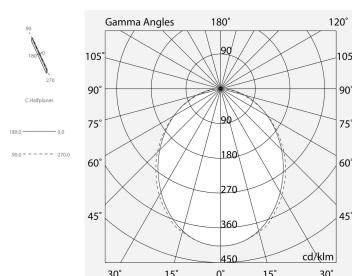
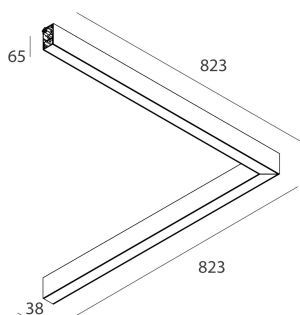
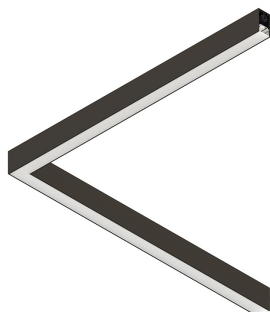


# LUCKY MINI

103519.20H

novalux

ITALIAN LIGHTING DESIGN SINCE 1948



## Features

Use: Indoor  
Type of installation: SUSPENDED, CEILING MOUNTED  
Emission: DIRECT  
Optics: OPAL  
Colour: CAFFE  
Dimming: PUSH, DALI  
Emergency: NO  
L: 823x823mm  
A: 38mm  
H: 65mm  
Made in: ITALY  
Warranty: 5 years  
Weight: 3kg

## Tech data

Luminaire input power: 27.3W  
Luminaire luminous flux: 2292lm  
IP: 40  
Insulation class: I  
Supply voltage: 220-240V 50/60Hz  
SELV: Si

## Source

Light source: LED  
Source power: 23W  
Source luminous flux: 3978lm  
Colour temperature: 4000K  
CRI: >80  
Colour tolerance: 3 Step MacAdam  
LED lifespan: 50000h L80 B20

## Compliance

CEI EN 60598-1:2021 + A11:2023, CEI EN 60598-2-1:2022

## Standards

Photobiological risk: RISK GROUP 0 Certified fixture in EXEMPT GROUP, in accordance with CEI EN 62471:2010-01, IEC TR 62778:2014.

CAM edilizia: The product complies with the requirements for public buildings, ministerial decree of 23rd June 2022 n.256.

[LUCKY MINI: View more product info](#)



Novalux S.r.l. via Marzabotto, 2 40050 Funo di Argelato (BO) Italy  
Tel: +39 051 860558 · Fax +39 051 6647859 · Mail: info@novalux.it · VAT number 00536541204 · novalux.com  
Company subject to the management and coordination by SLV GmbH

This technical data sheet is owned by Novalux S.r.l., all rights reserved. Novalux S.r.l. reserves the right to make changes without prior notice.  
Last update: 6/8/2025, 12:51:03

# LUCKY MINI

103519.20H

novalux

ITALIAN LIGHTING DESIGN SINCE 1948

## SCREENS



LUCKY MINI: DIFF. OPALE L=6500

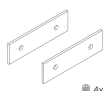
103507.99

## COMPLETION ACCESSORIES



LUCKY MINI: COPPIA TESTATE CAFFEA

103509.20



KIT GIUNZIONE MODULI P-30/LUCKY MINI

103317.99

## MOUNTING ACCESSORIES



KIT ALIMENTAZIONE L1200 5P CAF

108921.20



KIT ALIMENTAZIONE L3000 5P CAF

108922.20



LUCKY MINI: CAVO DI SOSPENSIONE L=3000

103513.99



Novalux S.r.l. via Marzabotto, 2 40050 Funo di Argelato (BO) Italy  
Tel: +39 051 860558 · Fax +39 051 6647859 · Mail: info@novalux.it · VAT number 00536541204 · novalux.com  
Company subject to the management and coordination by SLV GmbH

This technical data sheet is owned by Novalux S.r.l., all rights reserved. Novalux S.r.l. reserves the right to make changes without prior notice.  
Last update: 6/8/2025, 12:51:03