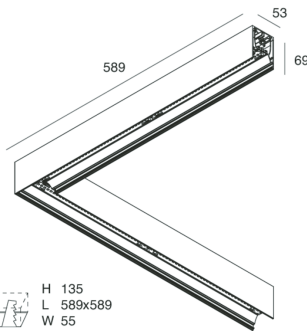


# HERO

108628.01 + 108908.99

HERO: ANG.DX 24W 2.7K 589 BIA + HERO: ANG.N.2 DIFF.OPALE PER 589

**novalux**  
ITALIAN LIGHTING DESIGN SINCE 1948



## Features

Use: Indoor  
Type of installation: WALL, RECESSED INTO PLASTERBOARD, SUSPENDED, CEILING MOUNTED, TRACK  
Emission: DIRECT  
Optics: OPAL  
Colour: WHITE  
Dimming: ON/OFF  
Emergency: NO  
L: 589x589mm  
A: 53mm  
H: 69mm  
Made in: ITALY  
Warranty: 5 years  
Weight: 2.1kg

## Tech data

Luminaire input power: 28.5W  
Luminaire luminous flux: 1909lm  
IP: 40  
Insulation class: I  
No. of driver per product: 1  
Supply voltage: 220-240V 50/60Hz  
SELV: Si

## Source

Light source: LED  
Source power: 24W  
Colour temperature: 2700K  
CRI: >90  
Colour tolerance: 3 Step MacAdam  
LED lifespan: 50000h L90 B10

## Compliance

CEI EN 60598-1:2021 + A11:2023, CEI EN 60598-2-1:2022, CEI EN 60598-2-2:2012

## Standards

Photobiological risk: RISK GROUP 0 Certified fixture in EXEMPT GROUP, in accordance with CEI EN 62471:2010-01, IEC TR 62778:2014.  
CAM edilizia: The product complies with the requirements for public buildings, ministerial decree of 23rd June 2022 n.256.

[HERO: View more product info](#)



Novalux S.r.l. via Marzabotto, 2 40050 Funo di Argelato (BO) Italy  
Tel: +39 051 860558 · Fax +39 051 6647859 · Mail: info@novalux.it · VAT number 00536541204 · novalux.com  
Company subject to the management and coordination by SLV GmbH

This technical data sheet is owned by Novalux S.r.l., all rights reserved. Novalux S.r.l. reserves the right to make changes without prior notice.  
Last update: 6/8/2025, 13:26:19

# HERO

108628.01 + 108908.99

HERO: ANG.DX 24W 2.7K 589 BIA + HERO: ANG.N.2 DIFF.OPALE PER 589

**novalux**  
ITALIAN LIGHTING DESIGN SINCE 1948



## Features

Use: Indoor  
Optics: OPAL  
L: 589x589mm  
A: 48mm  
H: 6mm  
Made in: ITALY  
Warranty: 5 years  
Weight: 0.2kg

## Tech data

IP: 40



Novalux S.r.l. via Marzabotto, 2 40050 Funo di Argelato (BO) Italy  
Tel: +39 051 860558 · Fax +39 051 6647859 · Mail: info@novalux.it · VAT number 00536541204 · novalux.com  
Company subject to the management and coordination by SLV GmbH

This technical data sheet is owned by Novalux S.r.l., all rights reserved. Novalux S.r.l. reserves the right to make changes without prior notice.  
Last update: 6/8/2025, 13:26:19

# HERO

108628.01 + 108908.99

HERO: ANG.DX 24W 2.7K 589 BIA + HERO: ANG.N.2 DIFF.OPALE PER 589

**novalux**  
ITALIAN LIGHTING DESIGN SINCE 1948

## COMPLETION ACCESSORIES

	HERO: MOD.CIECO ANG.SX 150 BIA	108677.01
	HERO: MOD.CIECO 1680 BIA	108681.01
	HERO: MOD.CIECO 1400 BIA	108680.01
	HERO: MOD.CIECO 250 BIA	108676.01
	HERO: MOD.CIECO 1120 BIA	108679.01
	HERO: MOD.CIECO ANG.DX 150 BIA	108678.01

## MOUNTING ACCESSORIES

	HERO: SOSPL3000 1PZ TESTA W.G.BASSO	108685.99
	HERO: STAFFA PARETE \"L\" BIA	108687.01
	KIT ALIMENTAZIONE L1200 3P BIA	108919.01
	HERO: SPESS. CARTONG. 10MM 2PZ.	108689.99



Novalux S.r.l. via Marzabotto, 2 40050 Funo di Argelato (BO) Italy  
Tel: +39 051 860558 · Fax +39 051 6647859 · Mail: info@novalux.it · VAT number 00536541204 · novalux.com  
Company subject to the management and coordination by SLV GmbH

This technical data sheet is owned by Novalux S.r.l., all rights reserved. Novalux S.r.l. reserves the right to make changes without prior notice.  
Last update: 6/8/2025, 13:26:19

# HERO

108628.01 + 108908.99

HERO: ANG.DX 24W 2.7K 589 BIA + HERO: ANG.N.2 DIFF.OPALE PER 589

**novalux**  
ITALIAN LIGHTING DESIGN SINCE 1948



HERO: SOSP.L3000 1PZ UNIONE W.G.BASSO

**108686.99**



HERO: SOSP.L3000 1PZ TESTA W.G.ALTO

**1086A1.99**



KIT ALIMENTAZIONE L3000 3P BIA

**108920.01**



HERO: KIT INCASSO LED (1X)

**108688.99**



HERO: SOSP.L3000 1PZ UNIONE W.G.ALTO

**1086A2.99**



Novalux S.r.l. via Marzabotto, 2 40050 Funo di Argelato (BO) Italy  
Tel: +39 051 860558 · Fax +39 051 6647859 · Mail: info@novalux.it · VAT number 00536541204 · novalux.com  
Company subject to the management and coordination by SLV GmbH

This technical data sheet is owned by Novalux S.r.l., all rights reserved. Novalux S.r.l. reserves the right to make changes without prior notice.  
Last update: 6/8/2025, 13:26:19