

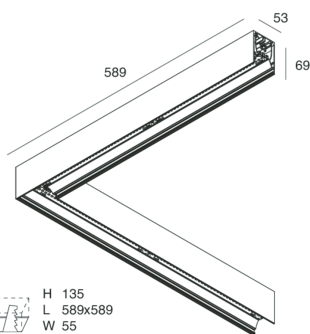
# HERO

108663.21 + 108908.99

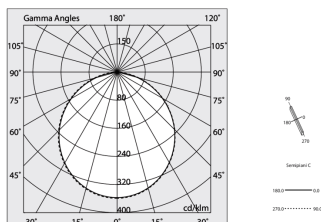
HERO: ANG.SX 24W 4K 589 DALI CAP + HERO: ANG.N.2 DIFF.OPALE PER 589



**novalux**  
ITALIAN LIGHTING DESIGN SINCE 1948



H 135  
L 589x589  
W 55



## Features

Use: Indoor  
Type of installation: WALL, RECESSED INTO PLASTERBOARD, SUSPENDED, CEILING MOUNTED, TRACK  
Emission: DIRECT  
Optics: OPAL  
Colour: CAPPUCCINO  
Dimming: PUSH, DALI  
Emergency: NO  
L: 589x589mm  
A: 53mm  
H: 69mm  
Made in: ITALY  
Warranty: 5 years  
Weight: 2.1kg

## Tech data

Luminaire input power: 28.5W  
Luminaire luminous flux: 2147lm  
IP: 40  
Insulation class: I  
No. of driver per product: 1  
Supply voltage: 220-240V 50/60Hz  
SELV: Si

## Source

Light source: LED  
Source power: 24W  
Colour temperature: 4000K  
CRI: >90  
Colour tolerance: 3 Step MacAdam  
LED lifespan: 50000h L90 B10

## Compliance

CEI EN 60598-1:2021 + A11:2023, CEI EN 60598-2-1:2022, CEI EN 60598-2-2:2012

## Standards

Photobiological risk: RISK GROUP 0 Certified fixture in EXEMPT GROUP, in accordance with CEI EN 62471:2010-01, IEC TR 62778:2014.

CAM edilizia: The product complies with the requirements for public buildings, ministerial decree of 23rd June 2022 n.256.

[HERO: View more product info](#)



Novalux S.r.l. via Marzabotto, 2 40050 Funo di Argelato (BO) Italy  
Tel: +39 051 860558 · Fax +39 051 6647859 · Mail: info@novalux.it · VAT number 00536541204 · novalux.com  
Company subject to the management and coordination by SLV GmbH

This technical data sheet is owned by Novalux S.r.l., all rights reserved. Novalux S.r.l. reserves the right to make changes without prior notice.  
Last update: 6/8/2025, 13:12:51

# HERO

108663.21 + 108908.99

HERO: ANG.SX 24W 4K 589 DALI CAP + HERO: ANG.N.2 DIFF.OPALE PER 589

**novalux**  
ITALIAN LIGHTING DESIGN SINCE 1948



## Features

Use: Indoor  
Optics: OPAL  
L: 589x589mm  
A: 48mm  
H: 6mm  
Made in: ITALY  
Warranty: 5 years  
Weight: 0.2kg

## Tech data

IP: 40



Novalux S.r.l. via Marzabotto, 2 40050 Funo di Argelato (BO) Italy  
Tel: +39 051 860558 · Fax +39 051 6647859 · Mail: info@novalux.it · VAT number 00536541204 · novalux.com  
Company subject to the management and coordination by SLV GmbH

This technical data sheet is owned by Novalux S.r.l., all rights reserved. Novalux S.r.l. reserves the right to make changes without prior notice.  
Last update: 6/8/2025, 13:12:51

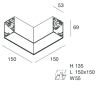
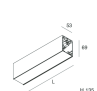
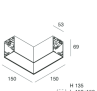
# HERO

108663.21 + 108908.99

HERO: ANG.SX 24W 4K 589 DALI CAP + HERO: ANG.N.2 DIFF.OPALE PER 589

**novalux**  
ITALIAN LIGHTING DESIGN SINCE 1948

## COMPLETION ACCESSORIES

	HERO: MOD.CIECO ANG.SX 150 CAP	108677.21
	HERO: MOD.CIECO 1120 CAP	108679.21
	HERO: MOD.CIECO 1680 CAP	108681.21
	HERO: MOD.CIECO 1400 CAP	108680.21
	HERO: MOD.CIECO 250 CAP	108676.21
	HERO: MOD.CIECO ANG.DX 150 CAP	108678.21

## MOUNTING ACCESSORIES

	KIT ALIMENTAZIONE L1200 5P BIA	108921.01
	HERO: SOSPL3000 1PZ TESTA W.G.BASSO	108685.99
	KIT ALIMENTAZIONE L3000 5P BIA	108922.01
	HERO: SPESS. CARTONG. 10MM 2PZ.	108689.99



Novalux S.r.l. via Marzabotto, 2 40050 Funo di Argelato (BO) Italy  
Tel: +39 051 860558 · Fax +39 051 6647859 · Mail: info@novalux.it · VAT number 00536541204 · novalux.com  
Company subject to the management and coordination by SLV GmbH

This technical data sheet is owned by Novalux S.r.l., all rights reserved. Novalux S.r.l. reserves the right to make changes without prior notice.  
Last update: 6/8/2025, 13:12:51

# HERO

108663.21 + 108908.99

HERO: ANG.SX 24W 4K 589 DALI CAP + HERO: ANG.N.2 DIFF.OPALE PER 589

**novalux**  
ITALIAN LIGHTING DESIGN SINCE 1948



HERO: SOSP.L3000 1PZ UNIONE W.G.BASSO

**108686.99**



KIT ALIMENTAZIONE L1200 5P CAP

**108921.21**



HERO: SOSP.L3000 1PZ TESTA W.G.ALTO

**1086A1.99**



HERO: KIT INCASSO LED (1X)

**108688.99**



KIT ALIMENTAZIONE L3000 5P CAP

**108922.21**



HERO: SOSP.L3000 1PZ UNIONE W.G.ALTO

**1086A2.99**



HERO: STAFFA PARETE "L" CAP

**108687.21**



Novalux S.r.l. via Marzabotto, 2 40050 Funo di Argelato (BO) Italy  
Tel: +39 051 860558 · Fax +39 051 6647859 · Mail: info@novalux.it · VAT number 00536541204 · novalux.com  
Company subject to the management and coordination by SLV GmbH

This technical data sheet is owned by Novalux S.r.l., all rights reserved. Novalux S.r.l. reserves the right to make changes without prior notice.  
Last update: 6/8/2025, 13:12:51